

## 產品說明

A-S1525

頻率響應		
音樂	50 ~ 20KHz	
咪高風	100 ~ 14KHz	
訊噪比 > 85dB		
失真率 ≤ 0.1%		
音量控制 (咪高風)		
低音	100Hz ±10dB	
高音	4KHz ±10dB	
輸入		
咪高風 1 & 2	10mV 600 Ohm	不平衡 (後板插口可接受電容咪輸入)
CD & 輔助輸入 (RCA)	400mV 10K	不平衡
輔助輸入 (歐式插座)	600mV 240Ohm	隔離變壓器 (單聲道)
電腦	600mV 240Ohm	隔離變壓器 (立體聲)
特別功能		
外置咪板輸入	0dB, 10K	不平衡連 DC12V 電源
強播輸入	- 當強播操作完成後，保留 5 秒鐘的開通狀態， 以保持中央廣播的連續性 - 可對強播訊號進行微調	
強播輸出	- 通電時自動切換成立體聲輸出 - 斷電後自動切換成直通右聲道輸出， 內置 6 瓦線間變壓器	
輸出		
線路輸出	0dB 600mV	不平衡
輸出功率	2 x 30W 8 Ohm	
尺寸	254mm (闊) x 250mm (長) x 90mm (高)	
重量	約 3.5 公斤	

重量和尺寸均為約數。

產品說明有所變更時，本公司不另行通知。

# Operating Instructions

## A-S1525 Stereo Mixing Amplifier

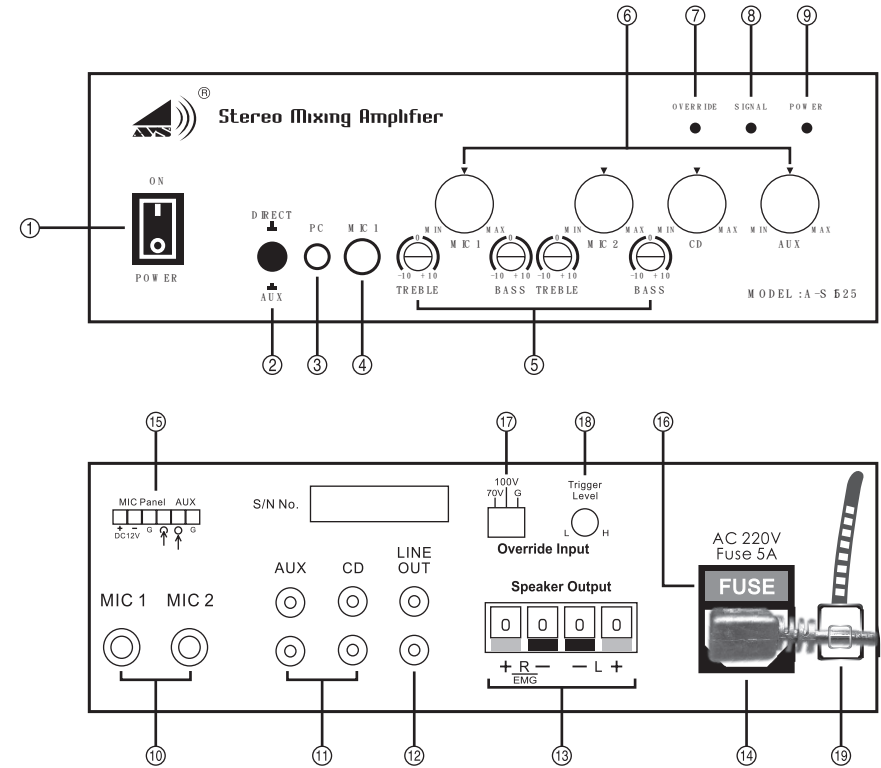


## AUDIO-VISUAL STATION

Before attempting to connect or operate this product,  
please read these instructions completely

## CONTENTS

FEATURES .....	P. 1
PRECAUTIONS .....	P. 1
MAJOR OPERATION CONTROLS AND THEIR FUNCTION .....	P. 2
SPECIFICATION .....	P. 3
特點 .....	P. 4
注意事項 .....	P. 4
主要操作控制及其功能 .....	P. 5
產品說明 .....	P. 6



- |                                 |                                   |
|---------------------------------|-----------------------------------|
| ① 電源開啟 / 關閉按鈕                   | ⑩ 咪高風插口 (咪高風 1 及 2)<br>(可接受電容咪輸入) |
| ② 電腦輸入選擇按鈕                      | ⑪ 輔助插口 (輔助及 CD 插口)                |
| ③ 電腦音源輸入插座                      | ⑫ 線路輸出插口                          |
| ④ 咪高風 1 前置插口                    | ⑬ 揚聲器接線端子 (無源強播輸出)                |
| ⑤ 音質控制 (Bass/Treble)            | ⑭ 交流電輸入口                          |
| ⑥ 音量控制 (咪高風 1, 咪高風 2, CD 及輔助輸入) | ⑮ 外置輸入接口                          |
| ⑦ 強播指示燈                         | ⑯ 保險絲                             |
| ⑧ 輸出訊號指示燈                       | ⑰ 強播訊號輸入接口                        |
| ⑨ 電源指示燈                         | ⑱ 強播觸發電平調整                        |
|                                 | ⑲ 電源線索帶                           |

## 特點

- 3 個 1/4 吋咪高風插口 (其中兩個可接受電容咪輸入)
- 2 個咪高風獨立均衡調節
- 3 路線路輸入接口 (CD, AUX x 2 及 PC)
- 3 個獨立狀態指示 LED 燈
- PC 直接輸入按鈕
- 全頻式隔離變壓器 (PC 及背面 AUX 歐式插座)
- 線路輸出 (RCA)
- 可調式強播輸入功能 (70/100 可選)
- 30 瓦 x 2 有效功率輸出

## 注意事項

- 在操作過程中，如果發生一些不正常現象，例如聲音斷續等，應關閉電源開關。
- 如有類似鋼針、髮夾及硬幣等金屬物落入裝置的內部，其可能造成裝置故障，在這種情況下，應關閉電源開關取下電源線。
- 連接揚聲器時，應拔下電源線。
- 連接揚聲器應使用指定的電纜。
- 請勿拆卸本機裝置，為免觸電，請勿拆卸螺絲或機蓋。裝置內沒有用戶可自行維修的部件，所有有關維修事宜，均應由有資格的專業維修人員或系統安裝人員來維修。
- 本裝置是不防水的，如果裝置因潮濕而沾水，請切斷電源，取下電源線並小心地用乾棉布擦拭。
- 清潔本機時，請用乾棉布擦拭。如有必要時，可用已濕的棉布或沾有肥皂的棉布擦拭。請勿使用石油精、酒精、稀釋劑或其他化學試劑清洗本機。
- 不要阻塞通風散熱槽孔，因長時間的蓄熱會造成本裝置故障。

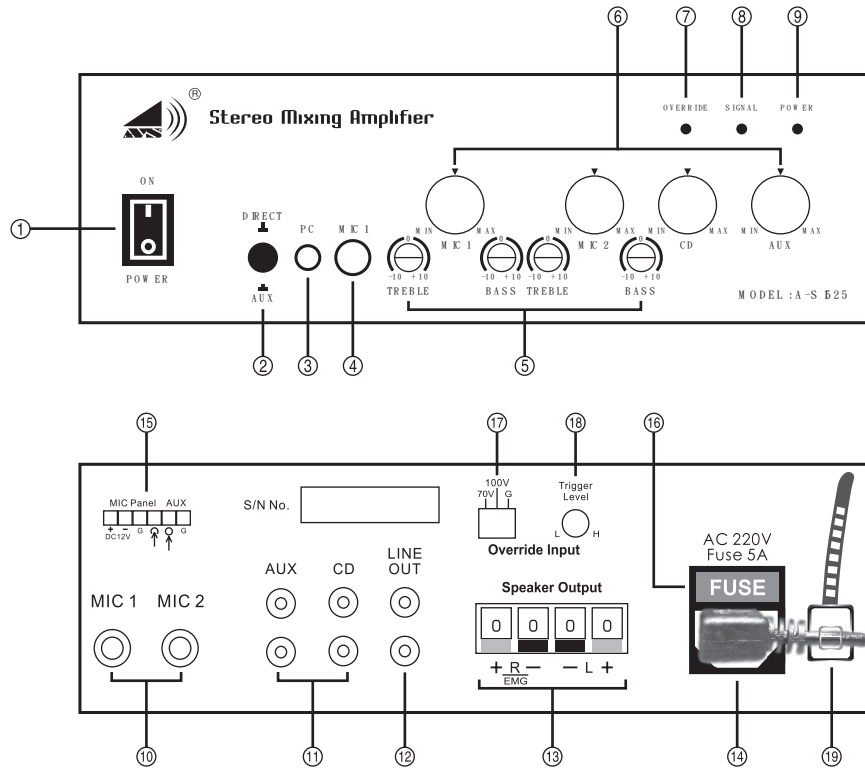
## FEATURES

- Three microphone input with 1/4" socket (2 Inputs for Condenser Mic.)
- Individual EQ for two microphones In.
- Three LINE LEVEL in for CD, AUX & PC
- Three color LED show the amplifier status in front panel
- PC direct button
- Wide range isolated transformer for PC & AUX (Phoenix connector) input
- Available Line OUT (RCA 0db 0.775V)
- LINE LEVEL override function (adjustable 70/100V)
- 30W x 2 power output (8 Ohms)

## PRECAUTIONS

- If something wrong, such as intermittent sound, happens during operation, turn off the power switch at once.
- If small metal objects such as needles, hairpins and coins drop into the inside of the equipment, they may cause troubles. In this case, turn off the power switch and unplug the Power Cord at once.
- Be sure to unplug the Power Cord when connecting the speaker.
- Be sure to use the specified cord for the speaker connection.
- Do not attempt to disassemble the unit. To prevent electric shock, do not remove the screws or cover. There are no user-serviceable parts inside. Refer to the qualified service personnel or system installers.
- This equipment is not waterproofed. If this unit becomes wet, turn the power off, unplug the Power Cord and wipe carefully with the dry cloth.
- For cleaning the body case, wipe with dry cloth. If necessary, use wet cloth or soap water damped cloth. Do not use such chemicals as benzene, alcohol, thinner and so forth.
- Do not block the Ventilation slots. It may cause the permanent damage for the heating.

# MAJOR OPERATING CONTROLS AND THEIR FUNCTIONS



- ① Power On / Off switch
- ② PC Input selector
- ③ PC Audio input jack
- ④ Mic 1 front input jack
- ⑤ Tone control (Treble, Bass)
- ⑥ Volume control (Mic 1, Mic 2, CD & AUX)
- ⑦ Override indicator
- ⑧ Signal indicator
- ⑨ Power on indicator
- ⑩ Mic Input jack (Mic 1 & Mic 2)  
(Condenser Mic. Available)
- ⑪ Input jack (AUX & CD)
- ⑫ Line out jack
- ⑬ Speaker terminals (Passive Override Output)
- ⑭ AC Power Input
- ⑮ External Input
- ⑯ Fuse
- ⑰ Override signal input (70/100V)
- ⑱ Tigger level
- ⑲ Power Cable Fixed Accessory

# SPECIFICATIONS

A-S1525

Frequency Response		
Music	50 ~ 20KHz	
Microphone	100 ~ 14KHz	
S/N Ratio > 85dB		
T.H.D. ≤ 0.1%		
Tone Control ( Mic. Only)		
Bass	100Hz ±10dB	
Treble	4KHz ±10dB	
<b>INPUT</b>		
Mic. 1 & 2	10mV 600 Ohm	Unbalanced (Rear Panel Inputs for Condenser Mic.)
CD & AUX ( RCA )	400mV 10K	Unbalanced
AUX ( Phoenix Connector )	600mV 240Ohm	Isolated Transformer (Mono)
PC	600mV 240Ohm	Isolated Transformer (Stereo)
<b>SPECIAL FUNCTION</b>		
External Mic. Panel Input	0dB, 10K	Unbalanced with DC12V Power Source
Override Input	5 Second Delay after the Override Signal is over	
Adj. 100V Line Voltage Level		
Override Output	Stereo Output in Active Mode	
Mono Output (Right) in Passive Mode (Max. 6W)		
<b>OUTPUT</b>		
Line Out	0dB 600mV	Unbalanced
Power Output	2 x 30W 8 Ohm	
Dimensions	254mm x 250mm x 90mm	W x D x H
Weight	3.5 KG	

Weight and dimensions indicated above are approximately.  
Specifications are subject to change without notice.