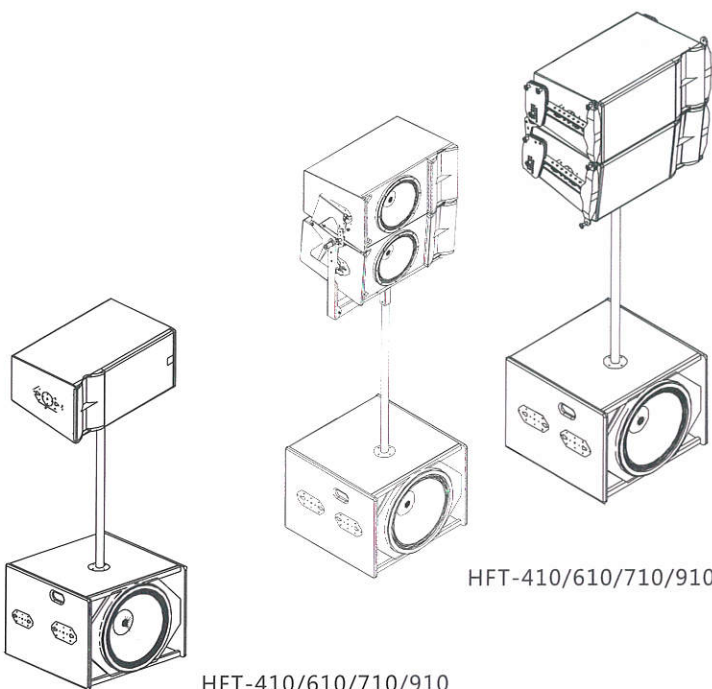


HFT Series

高性能、高功率、高指向性、重量轻、小体积
 High performance, High power, High directivity, Light weight



HFT-410/610/710/910

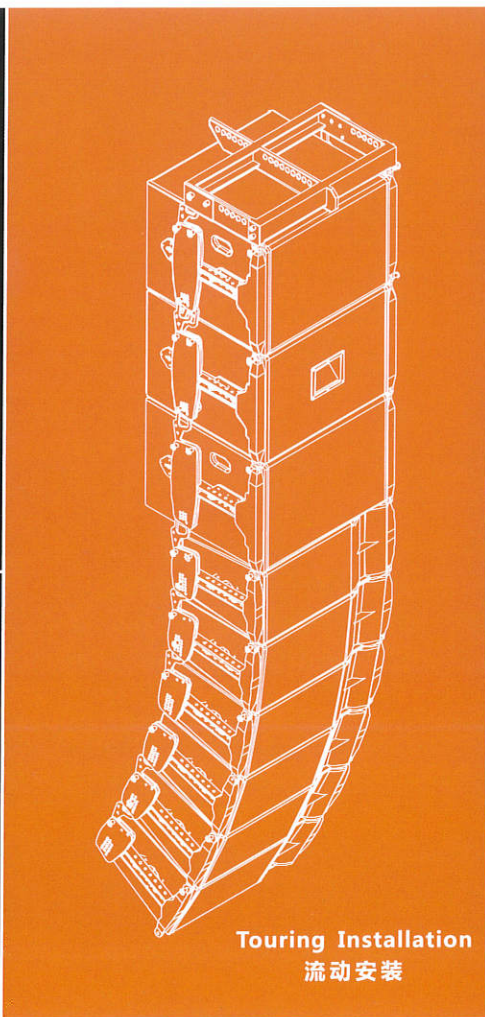
HFT-410/610/710/910



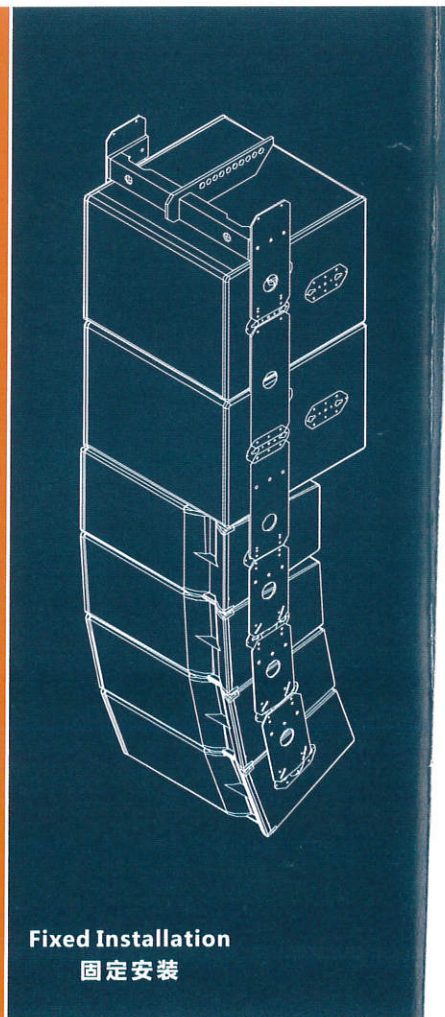
Touring Installation
 流动安装



Touring Installation
 流动安装



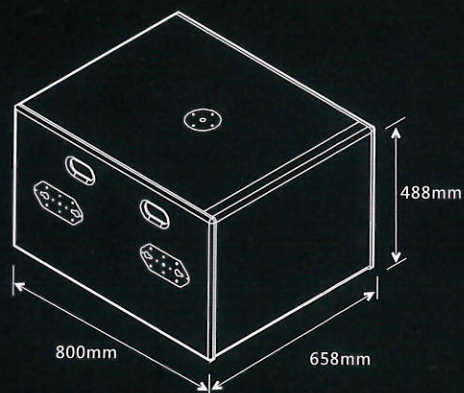
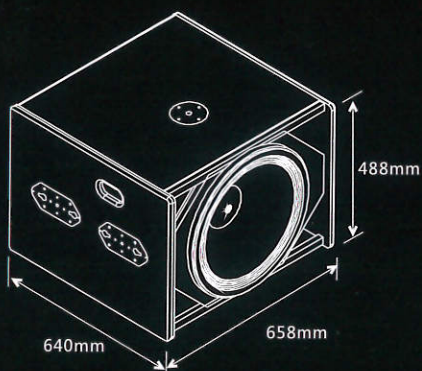
Touring Installation
 流动安装



Fixed Installation
 固定安装

HFT Series**HFT-180****HFT-215**

| | | |
|--------------------------|----------------------------|----------------------------|
| Configuration | Direct Radiating Subwoofer | Passive Cardioid Subwoofer |
| Components LF: | 18inch(100mm voice coil) | 2x15inch(100mm voice coil) |
| Power rating LF: | 500w AES/2000w Peak | 1000w AES/2000w Peak |
| Frequency response(±3dB) | 35Hz-150Hz | 38Hz-150Hz |
| Sensitivity 1m/1w LF: | 99dB/130dB | 99dB/130dB |
| Nominal impedance | 8Ω | 4Ω |
| Cabinet/channel QD-5+ | 8 | 4 |
| Crossover | 30Hz-100Hz | 35Hz-100Hz |
| Connectors | 2xNeutrik NL4 Speakon | 2xNeutrik NL4 Speakon |
| Enclosure | 18mm 11-ply birch plywood | 18mm 11-ply birch plywood |
| Dimensions mm(HxWxD) | 488x658x640 | 488x658x800 |
| Dimensions inch(HxWxD) | 19.23x25.93x24.12 | 19.23x25.93x31.52 |
| Weight kg | 28 | 35 |
| Option Special Colour | yes | yes |
| Option Weather Resistant | yes | yes |
| Optional Fixed or Mobile | yes | yes |
| Installation Accessories | | |

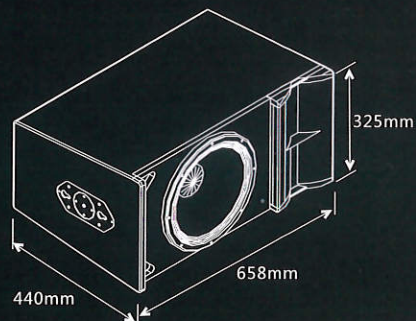
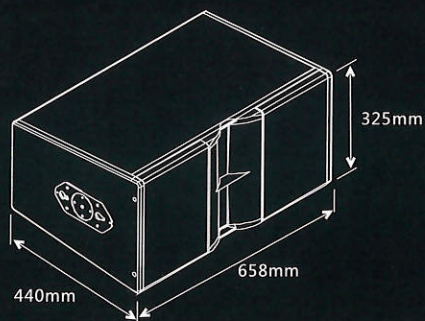
**HFT-180****HFT-215**

HFT Series

HFT-410 / HFT-410D

HFT-610 / HFT-610D

| | | |
|--------------------------|-------------------------------|-------------------------------|
| Configuration | 2-way line source loudspeaker | 2-way line source loudspeaker |
| Components LF | 2x10inch(63mm voice coil) | 1x12inch(75mm voice coil) |
| MF | ---- | ---- |
| HF | 1x3inch(75mm voice coil) | 2x2inch(44mm voice coil) |
| Power rating LF | 600w AES/2400w Peak | 450w AES/1800w Peak |
| MF | ---- | ---- |
| HF | 80w AES/320w Peak | 120w AES/480w Peak |
| Frequency response(±3dB) | 65Hz-20KHz | 60Hz-20KHz |
| Sensitivity 1m/1w LF | 100dB/136dB | 100dB/136dB |
| MF | ---- | ---- |
| HF | 112dB/139dB | 112dB/139dB |
| Nominal impedance | 8Ω | 8Ω |
| Cabinet/channel QD-5+ | 4 | 4 |
| Dispersion(HxV) | 110°x10° / 90°x10° | 110°x10° / 90°x10° |
| Crossover | 70Hz, 1.2KHz | 70Hz, 1.5KHz |
| Connectors | 2xNeutrik NL4 Speakon | 2xNeutrik NL4 Speakon |
| Enclosure | 15mm 9-ply birch plywood | 15mm 9-ply birch plywood |
| Dimensions mm(HxWxD) | 325x658x440 | 325x658x440 |
| Dimensions inch(HxWxD) | 12.81x25.93x17.34 | 12.81x25.93x17.34 |
| Weight kg | 28 | 28 |
| Option Special Colour | yes | yes |
| Option Weather Resistant | yes | yes |
| Optional Fixed or Mobile | yes | yes |
| Installation Accessories | | |

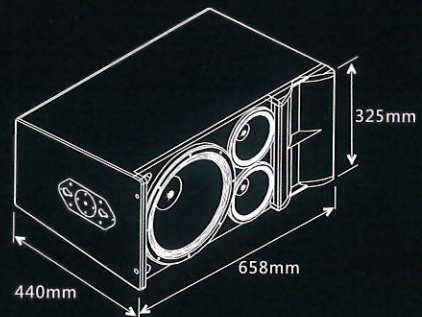
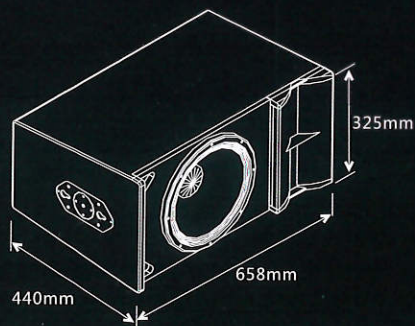


HFT-410 / HFT-410D

HFT-610 / HFT-610D

HFT Series**HFT-710 / HFT-710D****HFT-910 / HFT-910D**

| | | |
|--------------------------|-------------------------------|-------------------------------|
| Configuration | 2-way line source loudspeaker | 3-way line source loudspeaker |
| Components LF | 1x12inch(75mm voice coil) | 1x12inch(100mm voice coil) |
| MF | ---- | 2x6.5inch |
| HF | 1x3inch(75mm voice coil) | 2x2inch(44mm voice coil) |
| Power rating LF | 450w AES/1800w Peak | 450w AES/1800w Peak |
| MF | ---- | 200w AES/800w Peak |
| HF | 80w AES/320w Peak | 120w AES/480w Peak |
| Frequency response(±3dB) | 60Hz-20KHz | 60Hz-20KHz |
| Sensitivity 1m/1w LF | 100dB/136dB | 100dB/136dB |
| MF | ---- | 102dB/138dB |
| HF | 112dB/139dB | 112dB/139dB |
| Nominal impedance | 8Ω | 16Ω |
| Cabinet/channel QD-5 + | 4 | 3 or 2 |
| Dispersion(HxV) | 110°x10° / 90°x10° | 110°x10° / 90°x10° |
| Crossover | 70Hz, 1.5KHz | 70Hz,480Hz,3.2KHz |
| Connectors | 2xNeutrik NL4 Speakon | 2xNeutrik NL8 Speakon |
| Enclosure | 15mm 9-ply birch plywood | 15mm 9-ply birch plywood |
| Dimensions mm(HxWxD) | 325x658x440 | 325x658x440 |
| Dimensions inch(HxWxD) | 12.81x25.93x17.34 | 12.81x25.93x17.34 |
| Weight kg | 28 | 30 |
| Option Special Colour | yes | yes |
| Option Weather Resistant | yes | yes |
| Optional Fixed or Mobile | yes | yes |
| Installation Accessories | | |

**HFT-710 / HFT-710D****HFT-910 / HFT-910D**