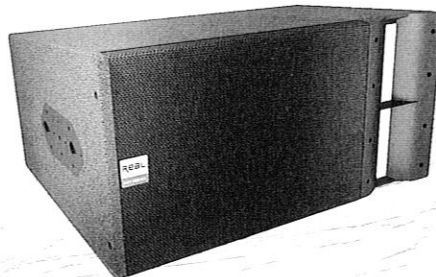
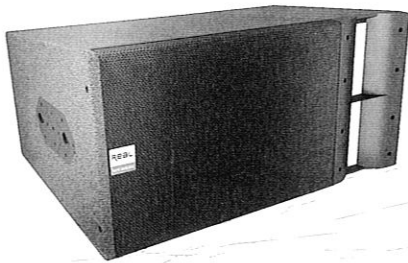
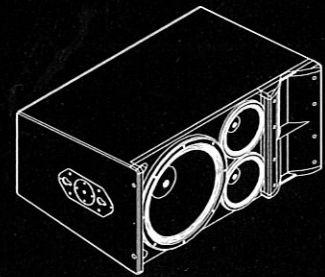
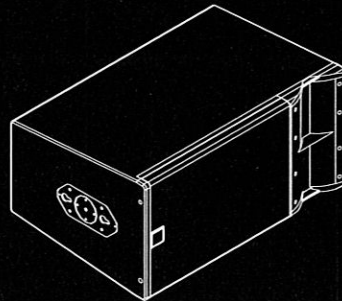
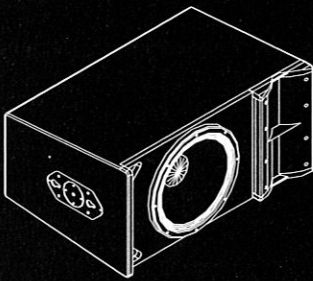


DFT Series	DFT-610/DFT-610A	DFT-810	DFT-910/DFT-910A
Configuration	2-way line source loudspeaker	2-way line source loudspeaker	3-way line source loudspeaker
Components LF	1x12inch(100mm voice coil)	1x15inch(100mm voice coil)	1x12inch(100mm voice coil)
MF		3x5inch(50mm voice coil)	2x6.5inch(50mm voice coil)
HF	2x2inch(44mm voice coil)	3x2inch(44mm voice coil)	2x2inch(44mm voice coil)
Power rating LF	450w AES/1800w Peak	450w AES/1800w Peak	450w AES/1800w Peak
MF	----	240w AES/800w Peak	200w AES/800w Peak
HF	120w AES/480w Peak	250w AES/1000w Peak	120w AES/480w Peak
Frequency response(±3dB)	50Hz-20KHz	45Hz-20KHz	60Hz-20KHz
Sensitivity 1m/1w LF	100dB/136dB	100dB/136dB	100dB/136dB
MF	----	102dB/138dB	102dB/138dB
HF	112dB/139dB	112dB/139dB	112dB/139dB
Nominal impedance	8Ω	8Ω	8Ω
Cabinet/channel QD-5	3 or 2	3 or 2	3 or 2
Dispersion(HxV)	120°x10°	120°x10°	120°x10°
Crossover	60Hz-1.5KHz	70Hz,380KHz,2.5KHz	70Hz,380KHz,3.2KHz
Connectors	2xNeutrik NL4 Speakon	2xNeutrik NL8 Speakon	2xNeutrik NL8 Speakon
Enclosure	15mm 9-ply birch plywood	15mm 9-ply birch plywood	15mm 9-ply birch plywood
Dimensions mm(HxWxD)	365x658x440	404x768x465	365x658x440
Dimensions inch(HxWxD)	14.38x25.93x17.34	15.91x26.30x19.09	14.38x25.93x17.34
Weight kg	34	45	38
Option Special Colour	yes	yes	yes
Option Weather Resistant	yes	yes	yes
Optional Fixed or Mobile	yes	yes	yes
Installation Accessories			
Ac power requirements	2A,230v,50/60Hz Class D two channel amplifier 4Ohm 2400w LF+700W HF drive 2pcs		2A,230v,50/60Hz Class D three channel amplifier 4Ohm 2400w LF+700W MF+700w HF drive 2pcs



DFT-610/HFT-610A

DFT-810

DFT-910/DFT-910A