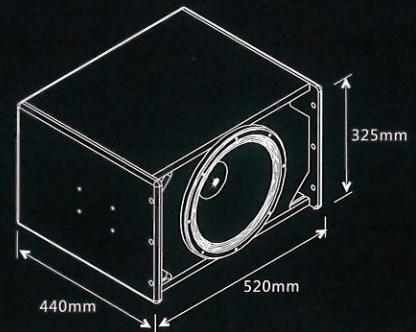
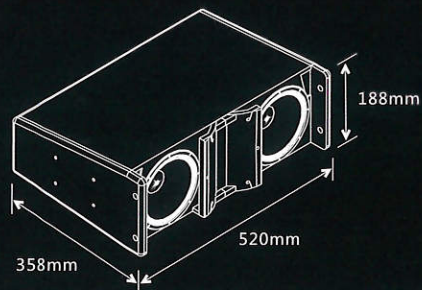


DFT Series**DFT-210****DFT-120**

Configuration	2-way line source loudspeaker	Passive Cardioid Subwoofer
Components LF	2x6.5inch(44mm voice coil)	1x12inch(75mm voice coil)
MF	----	----
HF	2inch(44mm voice coil)	----
Power rating LF	300w AES/2000w Peak	400w AES/16000w Peak
MF	----	----
HF	60w AES/400w Peak	----
Frequency response(±3dB)	80Hz-20KHz	40Hz-300Hz
Sensitivity 1m/1w LF	98dB/130dB,	98dB/134dB,
MF	----	----
HF	109dB/136dB	----
Nominal impedance	8Ω	8Ω
Cabinet/channel QD-3+	8	8
Dispersion(HxV)	110°x10°	----
Crossover	80Hz, 1.6KHz	35Hz-100Hz
Connectors	2xNeutrik NL4 Speakon	2xNeutrik NL4 Speakon
Enclosure	15mm 9-ply birch plywood	15mm 9-ply birch plywood
Dimensions mm(HxWxD)	188x520x358	224x658x397
Dimensions inch(HxWxD)	7.09x20.49x14.11	8.82x25.93x15.64
Weight kg	16	25
Option Special Colour	yes	yes
Option Weather Resistant	yes	yes
Optional Fixed or Mobile	yes	yes
Installation Accessories		

**DFT-210****DFT-120**