

AVS - LED EZ 2045

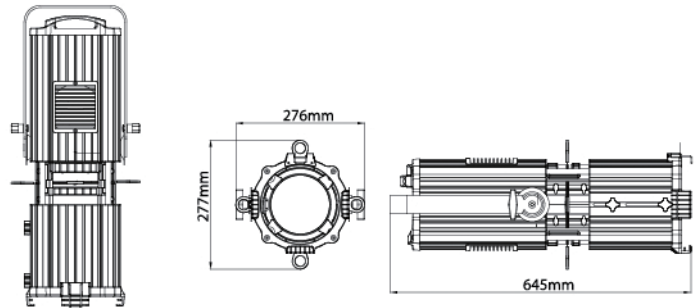
200W LED IMAGING ZOOM SPOT

www.avshk.com

- 電源輸入：AC100V-240V, 50/60Hz
- LEDs: COB 集成, 200W, 白光
- 光通量：17000lm - 18000lm
- LED 燈珠壽命：>50,000 小時
- 出光角度：20° - 45°, 可調校
- 冷卻系統：熱管配備無噪音風扇
- 插刀式不鏽鋼特殊造型切光板四件
- 控制模式：國際標準 DMX 512 信號
- 防護等級：IP20
- 淨重：8.4kgs • 毛重：10.8kgs
- 包裝尺寸：645mm (長) x 276mm (闊) x 277mm (高)
- 功率：250W
- 色溫：3200K / 5600K
- 顯色指數 (CRI): $\geq 85\text{Ra}$ 或 $\geq 95\text{Ra}$
- 電子調光：0-100% 線性調光
- 電子頻閃：1-20 次 / 秒
- 顯示屏：LCD 屏顯示
- 信號輸入與輸出：XLR 3Pin 與 XLR 5Pin
- 通道模式：1 個通道 / 2 個通道
- 使用環境濕度：-20°C - 45°C

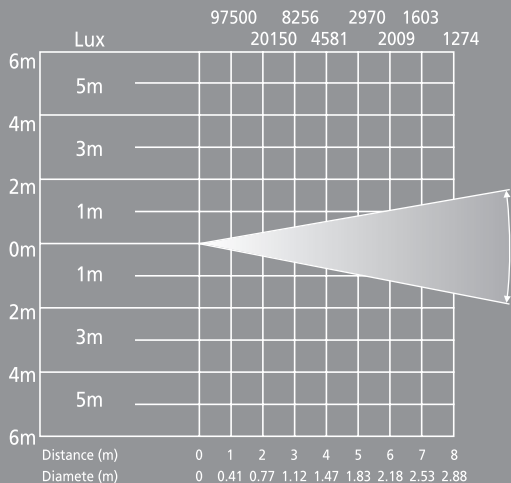


- Power Supply: AC100V-240V, 50/60Hz
- Power Consumption: 250W
- LEDs: COB, 200W, White
- Color Temperature: 3200K / 5600K
- Luminous flux: 17000lm - 18000lm
- CRI: $\geq 85\text{Ra}$ or $\geq 95\text{Ra}$
- LED life: >50,000H
- Dimmer: 0-100% Dimmer Intensity
- Adjustable Beam angle: 20° - 45°
- Strobe: 1-20 Flash per second
- Cooling system: heat pipe with no noise fan
- Four-plane Resilient Stainless-steel
Shutter Operates Handy Beam-Shaping and Free from Deformation
- Display: LCD screen display
- The signal input and output XLR 3Pin and XLR 5Pin
- Control mode: the international standard DMX 512 signal
- Channel mode: 1 channel or 2 channels
- Protection grade: IP20
- Use environment temperature: -20°C - 45°C
- N.W.: 8.4kgs • G.W.: 10.8kgs
- Dimensions: 645mm (L) x 276mm (W) x 277mm (H)



DMX CONTROL CHANNEL			Mode 1	Mode 2
1	Dimmer Intensity 調光	000-007 (0-100%) 008-255	CH 1	CH1
2	Strobe 頻閃	000 001 255	CH2	

Color Temperature (色溫): 3200K / 5600K
CRI (顯色指數): $\geq 85\text{Ra}$



Color Temperature (色溫): 3200K / 5600K
CRI (顯色指數): $\geq 85\text{Ra}$

